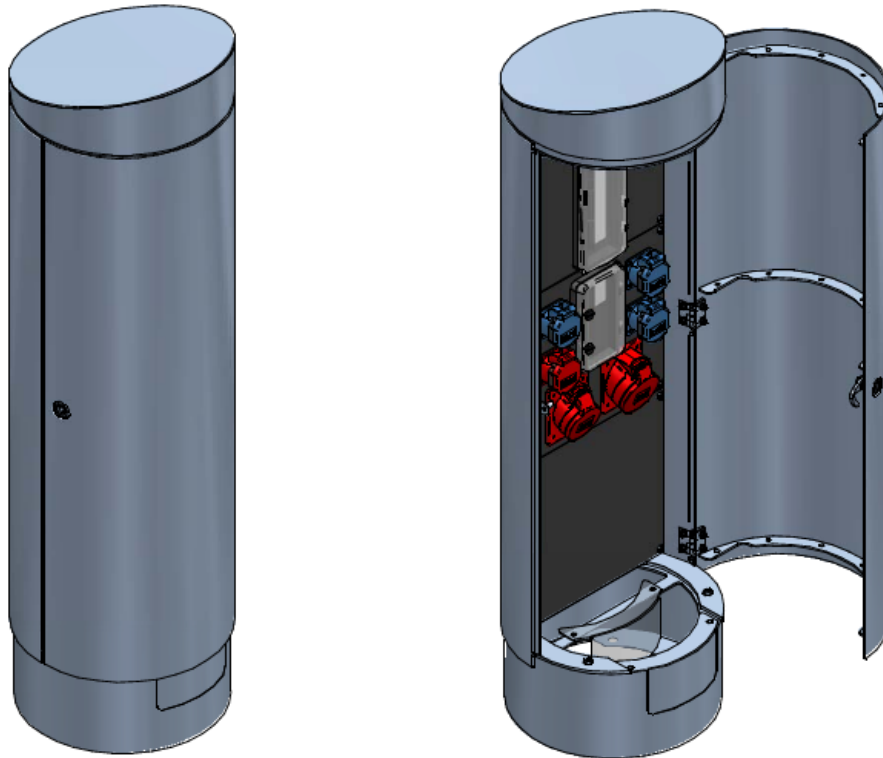


RONDO M / L

Manual



VERSION	MODIFICATIONS
1.0	First edition
1.1	Addition of an exit hatch and interior lighting (14 November 2024)

Table of contents

1	General information	3
1.1	Marking concept for hazards and hints	3
1.2	Responsibilities of the operator	3
2	Areas of application	5
2.1	Product properties and characteristics	5
2.1.1	The basic features and advantages of the RONDO model are:	5
2.2	Scope of delivery	5
2.3	Technical information	5
2.4	Set up	6
3	Introduction.....	8
3.1	Before installation and start up.....	8
3.1.1	Work to be done on site by customer	8
3.2	Assembly guidance	9
3.2.1	Installation steps directly on concrete foundation.....	9
3.2.2	Installation steps with the aid of floor flange.....	9
3.2.3	Drilling pattern for RONDO M plinth	10
3.2.4	Drilling pattern for RONDO L plinth	10
3.3	Electric power connection	10
4	Maintenance.....	11
4.1	Inspection and maintenance schedule	11
4.2	Description of maintenance and inspection works	11
5	Debugging.....	12
5.1	Measures to eliminate errors.....	12
5.2	Storage.....	12
5.3	Disposal of the device	12
6	Service.....	13
6.1	Service addresses	13
6.2	Imprint	13

1 General information

1.1 Marking concept for hazards and hints

 **Hazard**

Hazardous situation which will cause serious injury or even death if it is not prevented.

 **Caution**

Hazardous situation which could cause slight to moderate injury if it is not prevented.

 **Hint**

Indicates information which does not concern personal injury, e.g. hints in respect of material damage.

 **Protective measures**

Increase safety by applying a protective measure.



The CE label confirms that your device satisfies the safety requirements set down in EU Directives 2006/95/EC and 2004/108/EC.

1.2 Responsibilities of the operator

- Make sure that this document is always kept in a safe place in a legible form together with the product.
- Read these instructions carefully before first start-up of the product.
- Make sure that this document is always kept in a safe place in a legible form together with the product. Read these instructions carefully before first start-up of the product. This product has been developed and produced exclusively for the use indicated in these documents. Every other use, which is not mentioned explicitly, could affect the intactness of the product and/or could constitute a source of danger.
- The manufacturer rejects any liability for damage which has been caused by incorrect or non-intended use of the product.
- In countries, which do not belong to the European Community, the national legal reference regulations as well as the standards and regulations applicable in these countries have to be observed for warranty of a corresponding safety level.
- The installation has to be carried out according to the applicable regulations.
- The manufacturer assumes no liability for inexpert execution of installation as well as deformations which may occur during operation.
- The electric power supply has to be switched off before executing any action on the installation.
- Exclusively original parts of the manufacturer shall be used for maintenance. Maintenance work may be carried out by qualified staff only.
- The exposed parts of the RONDO are made of stainless steel. Depending on the effects of the weather, even stainless steel can develop «rust film». This can be avoided or removed with appropriate maintenance.
- All procedures which are not explicitly mentioned by the manufacturer in the instructions are not permitted.
- The packing material must not be stored within the reach of children as it could be a potential source of danger.
- The product must not be installed in hazardous environments. Flammable gases or fumes represent a serious security risk.

Created	Modified	Object-ID
14.02.2024 ROEN	14.11.2024 ROEN	3018497

- The RONDO's power supply must be secured in accordance with the applicable regulations and information provided by the manufacturer.
- It should be checked whether the earthing system was carried out professionally. The metal parts of the RONDO should be connected to this system.
- If a heating is installed by customer, it is important that the system will be protected by RCD 30mA.
- The manufacturer disclaims any liability with regards to safety and efficient operation of the RONDO if components are used in the RONDO which were not approved by the manufacturer.
- On no part of the RONDO changes should be made, under no circumstances.
- The installer has to provide the user with all information relating to the operation of the system.
- Make sure that underfloor distribution systems which can only be operated when they are in open mode, do not provoke any security risk during the operation (risk of unwanted closure of lid, manipulation, e.g.).

The locking system and the door hinges must be checked at suitable intervals, cleaned and lubricated if necessary.

The surface of the door must also be cleaned of dirt at suitable intervals to ensure secure closing.

The interior, especially the floor area, must be cleaned of dirt at suitable intervals to ensure safe operation.

Any screw connections loosened during transport or assembly must be retightened.

2 Areas of application

The RONDO from GIFAS is suitable for:

- Trade fair and exhibition halls
- School, sports and park facilities
- Pedestrian zones and car parks
- Municipal and market squares
- Shopping centres, etc.

... power wherever you need power quickly, discreetly and repeatedly!

2.1 Product properties and characteristics

2.1.1 The basic features and advantages of the RONDO model are:

- Open housing frame
- Door with 3-edge lock
- Door closed during operation
- Robust, easy to operate and reliable
- Vandal-proof
- Perfect visual integration into the overall picture
- Various customised model sizes and configurations possible
- Low maintenance and servicing costs
- High-quality, robust and tested by GIFAS
- Resistant to environmental influences

Equipped according to customer-specific requirements.

2.2 Scope of delivery

The RONDO housing is supplied fully assembled and wired. Cabling of the supply line and the creation of a professional foundation must be designed and provided by the customer.

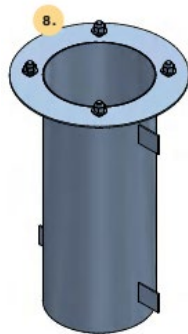
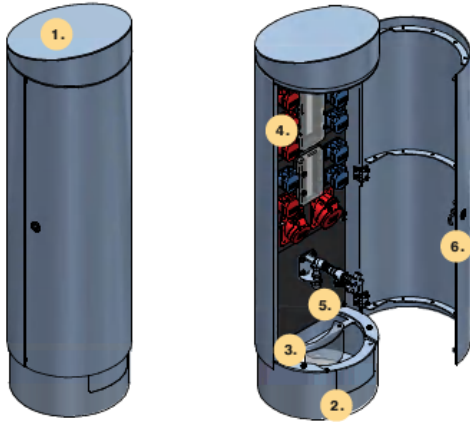
If you have any questions or queries, our sales staff will be happy to help.

2.3 Technical information

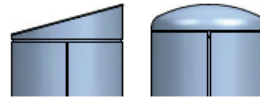
- the RONDO model is available in 2 sizes [M / L] as standard
- suitable for power, IT, water and compressed air connections
- the cover can be chosen between slanted or convex (round)
- the power distributor can be customised
- made of stainless steel V2A
- simple, quick opening and closing
- various cam locks possible. (square 8mm, square 6mm, double-bit, KABA)
- installation on a fixed foundation base or with a floor flange set in concrete

Created	Modified	Object-ID
14.02.2024	14.11.2024	3018497
ROEN	ROEN	

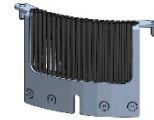
2.4 Set up



1. column
 - weight approx. 55kg to 65kg depending on equipment
 - Material stainless steel V2A, 1.4301
 - Surface ground or painted according to customer requirements
 - Sloping or convex lid



2. cable outlet
 - removable
 - optional exhaust flap with brushes



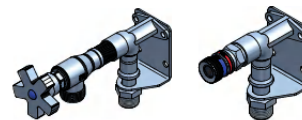
3. holder for cable outlet

4. power distribution boxes
 - equipped to customer requirements

5. Interior lighting (optional)
 - 230 V LED spotlight with motion and daylight sensor



6. water- and air connections

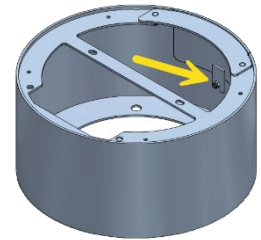


7. standard lock
 - 3-sided 8mm

8. Bottom flange (optional)
 - ideal for installation in solid surfaces (e.g. concrete)
 - 4×M12×27 mm

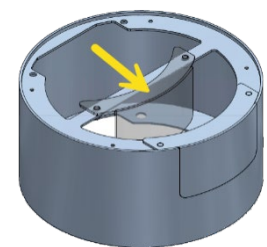
i Hint

The cable outlet is locked in place with the stop nut. This must be loosened during initial start up so that the cable outlet flap can then be removed and refitted during operation without tools.



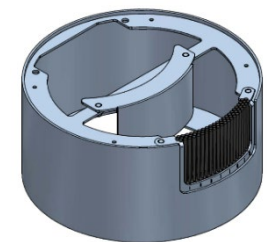
i Hint

When the cable outlet is in use, the cable outlet flap can be «parked» in the rear position.



i Hint

The cable outlet flap and the outlet flap with brushes can be placed in either the rear or front position.



3 Introduction

To ensure proper installation, the following steps and notes must be complied with under all circumstances. Only this way can it be ensured that the product will work to complete satisfaction.

i Hint

Read all instructions before starting installation. Our sales department will be happy to answer any questions you may have.

3.1 Before installation and start up

3.1.1 Work to be done on site by customer

Positioning	The correct and safe installation of the product is the responsibility of the operator. When planning, please observe the local laws. The same applies to safe positioning in the surrounding area.
Preparation	The correct and firm base for the plinth is crucial for the secure hold of the RONDO. The base must be laid by a specialist or approved by the customer. Care must be taken to ensure that the load-bearing capacity of the foundation corresponds to the load-bearing capacity of the RONDO in order to avoid subsidence. The manufacturer's recommendations must be followed during installation. Wait until the base is sufficiently firm before installing the plinth. The design of the foundation is in the responsibility of the customer / planner / structural engineer / master builder.
Feed- in cable	The electrical supply line must be installed by specialised personnel on site. The type of installation, dimensioning (cross-section) and fuse protection must be created in accordance with standards
Assembly	Proceed according to the «Assembly instructions».

The excavation work as well as the professional and standardised installation must be carried out on site.

3.2 Assembly guidance

i Hint

If the foundation is not properly levelled, the plinth must be levelled accordingly using washers

i Hint

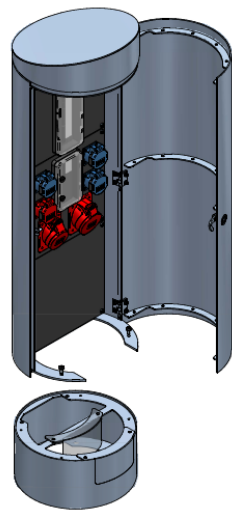
Do not begin installation until the foundation is sufficiently dry and firm.

i Hint

The RONDO can be positioned and installed as a whole. When mounting directly on a concrete foundation, we recommend first detaching the base from the RONDO and mounting it separately.

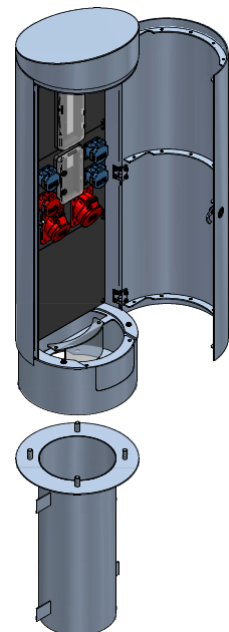
3.2.1 Installation steps directly on concrete foundation

- 1) Open the door
- 2) Remove the bottom PVC cover
- 3) Unscrew the plinth from the RONDO
- 4) Remove the RONDO from the plinth
- 5) Place the plinth on the foundation
- 6) Mark the 4 fixing points on the foundation
- 7) Drill 4x holes in the foundation
- 8) Drive in 4x anchor plugs (M10 or M12)
- 9) Place the base on the anchor plugs and level if necessary.
- 10) Secure the plinth with nuts
- 11) Place the RONDO on the plinth
- 12) Screw on the RONDO accordingly
- 13) Insert the supply cable and connect professionally
- 14) Now refit the bottom PVC cover
- 15) The RONDO is now ready for operation

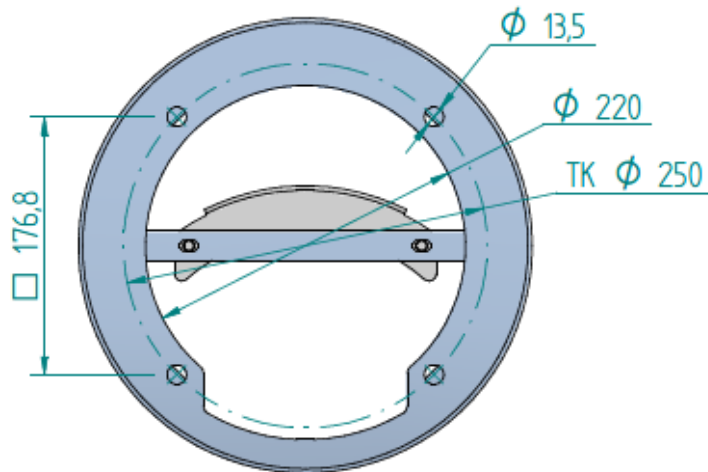


3.2.2 Installation steps with the aid of floor flange

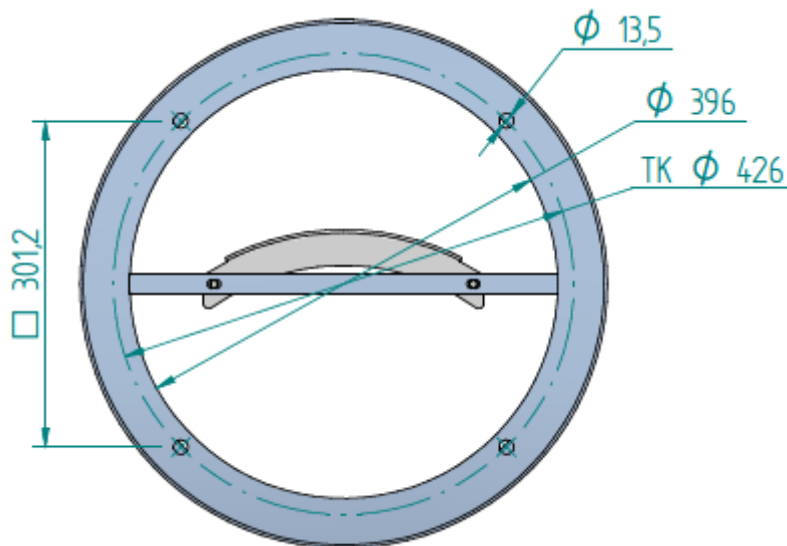
- 1) Place the base flange and professionally backfill with sufficient foundation material. The customer / planner / structural engineer / master builder is responsible for the design and quantity of the refilling material.
- 2) Ensure that the supply line has been properly installed.
- 3) Wait until the floor flange is firmly anchored in the foundation.
- 4) Open the door
- 5) Remove the bottom PVC cover
- 6) Place the RONDO on the floor flange
- 7) Secure the RONDO with M12 nuts
- 8) Insert the supply cable and connect it professionally
- 9) Now refit the bottom PVC cover
- 10) The RONDO is now ready for operation



3.2.3 Drilling pattern for RONDO M plinth



3.2.4 Drilling pattern for RONDO L plinth



3.3 Electric power connection

⚠ Hazard

Connection to the grid should only be entrusted to trained and skilled personnel and is the responsibility of the operator.

The electric supply cable should be connected to the junction box by skilled personnel and an inspection of the Campetto conducted according to the following inspection plan.

4 Maintenance

4.1 Inspection and maintenance schedule

Work to be done:	Period:
Inspection of the door hinges	1x year
Inspection of the locking system	1x year
Cleaning of the inner floor area	as needed
Check electrical distributions	According to country-specific regulations

4.2 Description of maintenance and inspection works

The locking system and the door hinges must be checked at suitable intervals, cleaned and lubricated if necessary.

The surface of the door must also be cleaned of dirt at suitable intervals to ensure secure closing.

The interior, especially the floor area, must be cleaned of dirt at suitable intervals to ensure safe operation.

Any screw connections loosened during transport or assembly must be retightened.

5 Debugging

5.1 Measures to eliminate errors

Bug / error	Possible cause(s)	Solution
Door is difficult to open	Hinge dirty	Change/clean hinge
Door cannot be closed	Door contact surface dirty	Clean door contact surface
Door cannot be closed	Lock system defect	Change/clean lock system
Residual current circuit breaker trips	Electrical defect	Repair by a specialist

5.2 Storage

No additional measures are required for storage. With regard to packaging, pay attention to protection against damage.

5.3 Disposal of the device



This product must not be thrown in the garbage.

In accordance with official local and national regulations, this product is to be recycled appropriately.



European directive 2012/19/EU; waste electrical and electronic equipment (WEEE).

6 Service

6.1 Service addresses

GIFAS ELECTRIC GmbH Borsigstrasse 9 D-41469 Neuss	GIFAS-ELECTRIC S.r.l Via dei Filaracci 45 Piano del Quercione I-55054 Massarosa (LU)	GIFAS ELECTRIC GmbH Strass 2 A-5301 Eugendorf	GIFAS-ELECTRIC GmbH Dietrichstrasse 2 Postfach 275 CH-9424 Rheineck
☎ +49 2137 105-0 📠 +49 2137 105-230 🌐 www.gifas.de ✉ verkauf@gifas.de	☎ +39 58 497 82 11 📠 +39 58 493 99 24 🌐 www.gifas.it ✉ info@gifas.it	☎ +43 6225 7191-0 📠 +43 6225 7191-561 🌐 www.gifas.at ✉ verkauf@gifas.at	☎ +41 71 886 44 44 📠 +41 71 886 44 49 🌐 www.gifas.ch ✉ info@gifas.ch

6.2 Imprint

GIFAS-ELECTRIC GmbH
CH-9424 Rheineck
www.gifas.ch

Technical changes and errors reserved.

These installation instructions are property of GIFAS-ELECTRIC GmbH and may not be copied, translated, transferred, duplicated or passed on to third parties without the previous written consent of GIFAS-ELECTRIC.